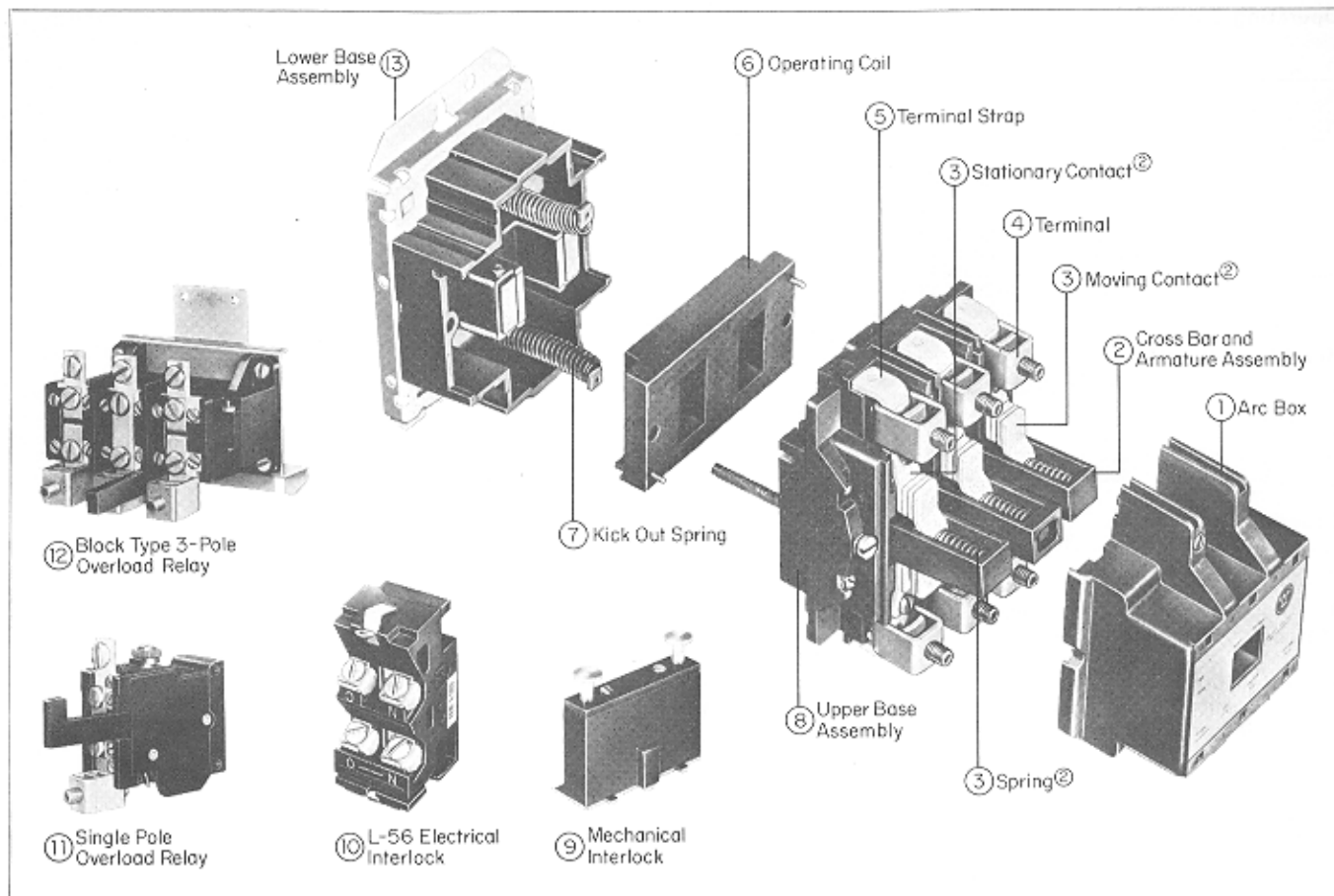


Westinghouse

A/200 Starters and
Contactors, Size 4

Ref. No.	Description of Part	Non-Reversing					Reversing		
		Style Number of Part or Parts					Style Number of Part	No. Req.	
		2-Pole	3-Pole	4-Pole	5-Pole	Number Required	3-Pole x 3-Pole		
1	Arc Box	372D673G01	372D673G01	372D677G01	372D677G01	1 Kit	372D673G01	2	
2	Cross Bar and Armature Assembly	373B331G36	373B331G36	373B331G36	373B331G36	1	373B331G36	2	
3	Replacement Contact Kit (Consists of Moving Contacts, Stationary Contacts and Springs)	626B187G16①	626B187G17①	626B187G18①	626B187G19①	1 Kit	626B187G13①	2 Kits	
4	Terminal	372B357G06	372B357G06	372B357G06	372B357G06	2 Per Pole	
5	Terminal Strap	276A092H01①	276A092H01①	276A092H01①	276A092H01①	2 Per Pole	
6	Operating Coils	See Table Page 2							
7	Kick-Out Spring	503C796H45①	503C796H45①	503C796H45①	503C796H45①	2	503C796H45	4	
8	Upper Base Assembly	373B331G37	373B331G37	373B331G39	373B331G39	1	373B331G37	2	
9	Mechanical Interlocks								
	3-Phase Horizontal	177C508G02	1	
	3-Phase Vertical	179C722G02	1	
10	NO Holding Interlock	503C782G02	503C782G02	503C782G02	503C782G02	1	
	NO-NC Holding Interlock	503C782G01	2	
	Extra NO-NC Interlocks	503C782G01	503C782G01	503C782G01	503C782G01	Ref.	503C782G01	Ref.	
11	Single Pole Overload Relay								
	Non-Compensated	372D880G09	2	372D880G09	2	
	Ambient Compensated	372D850G09	2	372D850G09	2	
12	Block Overload Relay								
	Non-Compensated	5667D76G16	1	372D622G16	1	
	Ambient Compensated	5667D76G08	1	372D622G08	1	
13	Lower Base Assembly	1250C33G03	1250C33G03	1	1250C33G03	2	

① Changed since previous issue.

② Refer to Item 3.

Additional Data on Page 2 ▶

A/200 Starters and Contactors, Size 4

Operating Coils

Volts/Cycles	Style Numbers	
	2, 3, Poles	4, 5 Poles
120/60, 110/50	505C633G01	505C635G01
208/60, 220/60	505C633G02	505C635G02
240/60②, 480/60	505C633G03	505C635G03
550/60	505C633G04	505C635G04
600/60, 550/50	505C633G05	505C635G05
440/60, 380/50	505C633G07	505C635G07
600/50	505C633G09	505C635G09
120/60②, 240/60	505C633G10	505C635G10
110/60	505C633G11	505C635G11
240/60, 220/50	505C633G12	505C635G12
480/60, 440/50	505C633G13	505C635G13
208②/220/240/60	505C633G08	505C635G08

Replacement Kits

Description	Cat. No.	Style No.
Pushbutton	PBK-3	373D113G03
Selector Switch	SSK-1	373D113G04
Transformer	TXK-3	505C609G02
Third Overload Relay	30LK-3	625B287G03

Ordering Information

1. Name part and give its style number.
2. State method of shipment desired.
3. Send all orders or correspondence to nearest Westinghouse sales office.

Pricing Information

For prices, refer to PEG 120 or Catalog Section 8220.